

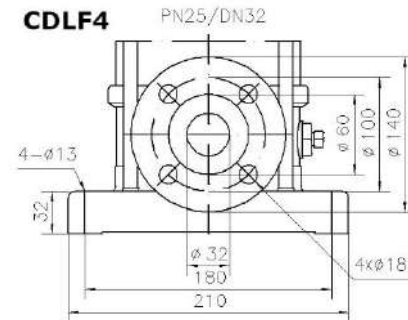
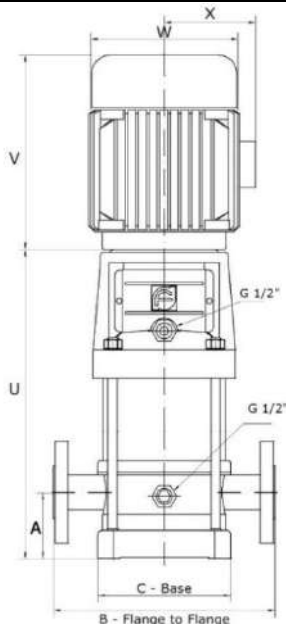
CDLF4 50Hz 2900rpm

Model		Item Code	P2 Shaft kW	Input Voltage	Full Load Current	Cap uF	Inlet / Outlet	Max Flow	Max Head		
CNP CDLF 4-8	M	701226	1.5	1ph 240V	8.08A	30	PN25 / DN25 Dia 32	116lpm 7.0m ³ /hr	80m		
CNP CDLF 4-8	T	701228		3Ph 415V λ	3.02A						
				3Ph 240V Δ	5.23A						
CNP CDLF 4-10	M	701214	2.2	1ph 240V	12.0A	30			PN25 / DN25 Dia 32	116lpm 7.0m ³ /hr	102m
CNP CDLF 4-10	T	701216		3Ph 415V λ	4.25A						
				3Ph 240V Δ	7.36A						
CNP CDLF 4-12	M	701217	2.2	1ph 240V	12.0A	40	PN25 / DN25 Dia 32	116lpm 7.0m ³ /hr			175m
CNP CDLF 4-12	T	701218		3Ph 415V λ	4.25A						
				3Ph 240V Δ	7.36A						
CNP CDLF 4-16	T	701220	3.0	3Ph 415V λ	5.7A				PN25 / DN25 Dia 32	116lpm 7.0m ³ /hr	175m
			3.0	3Ph 240V Δ	9.9A						

Construction materials

Pump base and Motor support	Cast Iron
Motor coupling	Carbon Steel
Shaft support bearings	Tungsten Carbide
Mechanical seal	Silicon Carbide/Carbon/EPDM
Suction and discharge casing, Pump shaft, Outer sleeve, Impeller sleeve, Impellers	304 S/S

Liquid temp: -15° to 70°C Max Ambient temp: 1Ph 45°C 3Ph 40°C Insulation Class F IP55
Max pump pressure: 25 bar

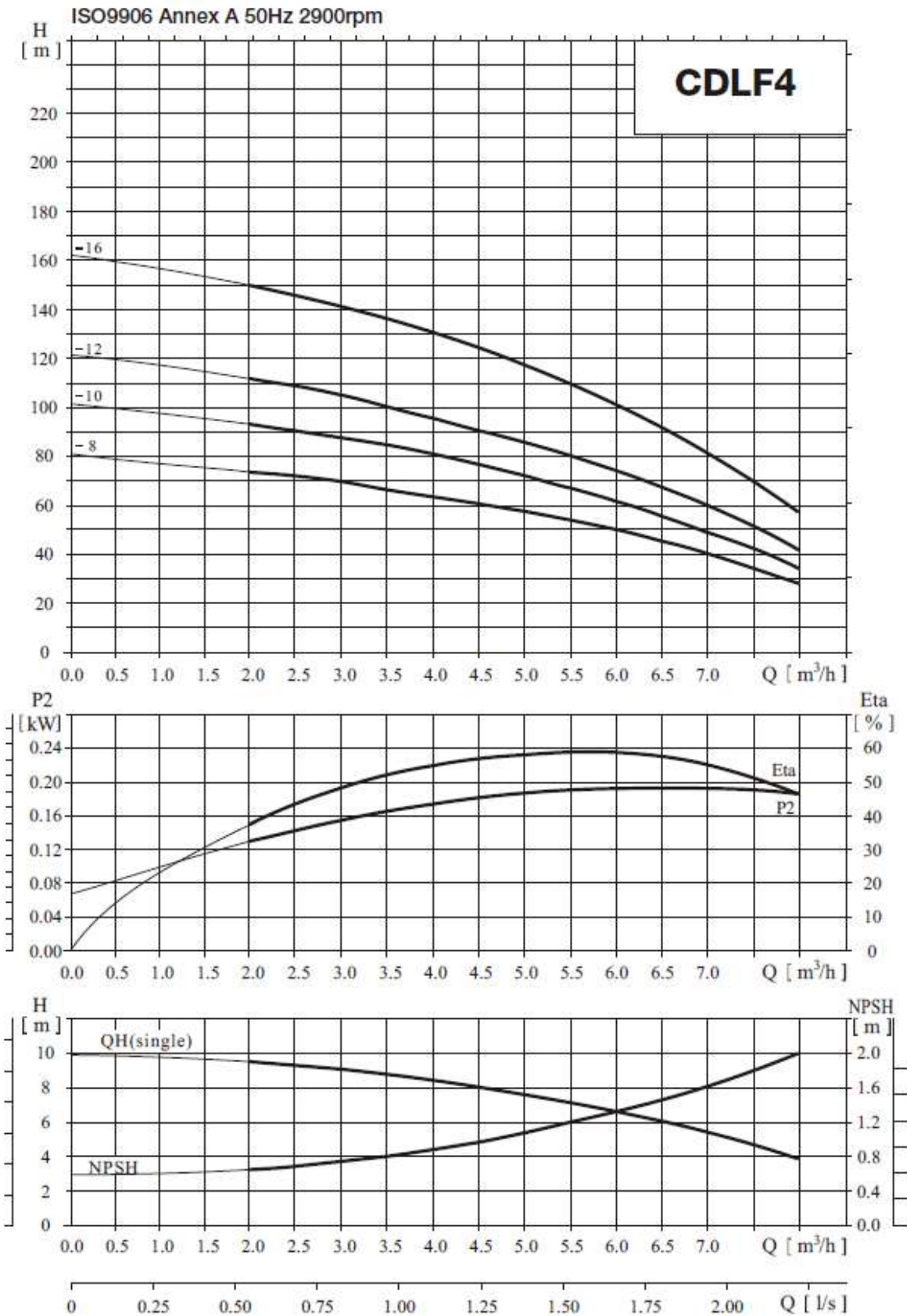


	U	V	W	X
CNP CDLF 4-8	458	290	190	155
CNP CDLF 4-10	512			
CNP CDLF 4-12	541	345	197	165
CNP CDLF 4-16	684			

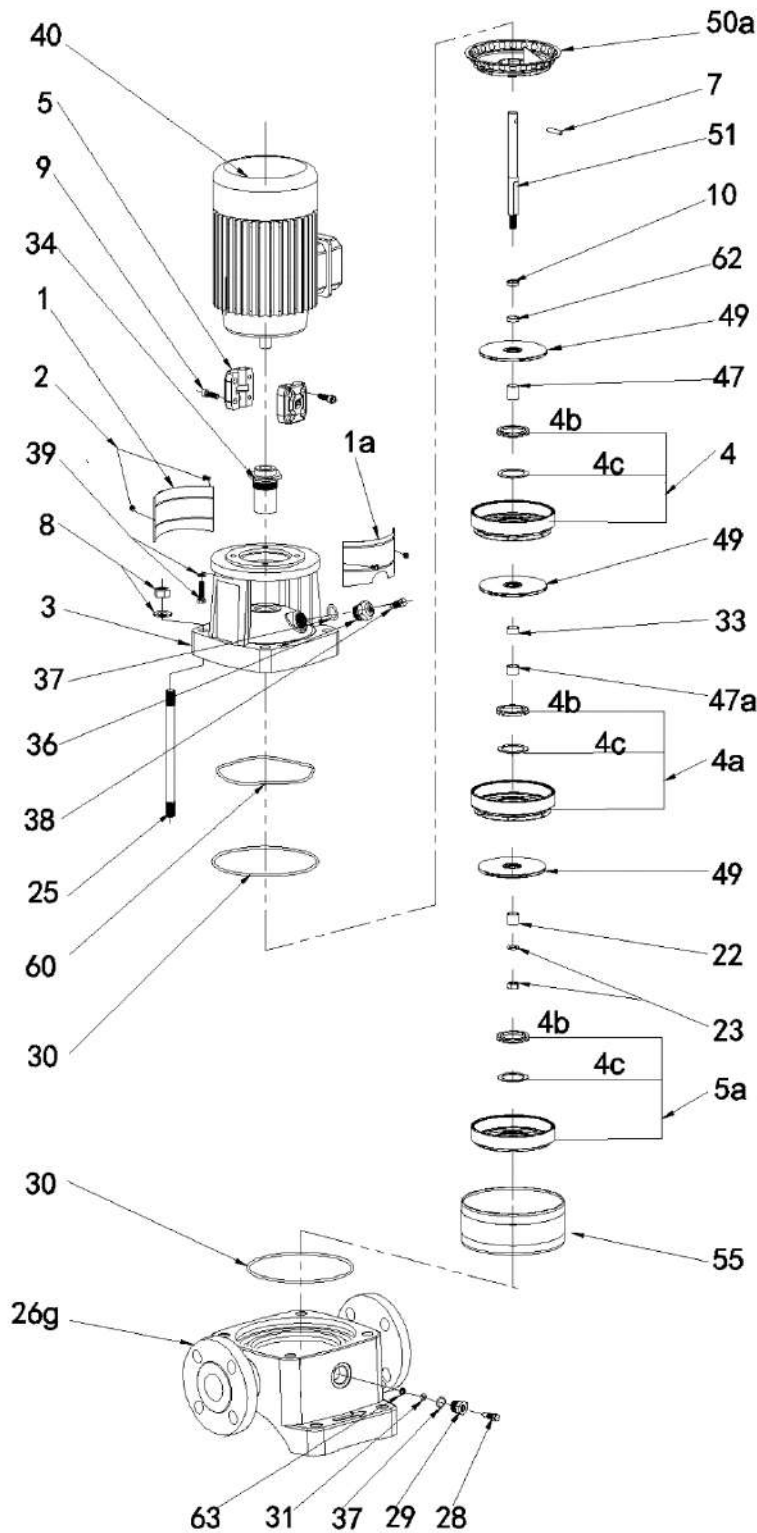
Note: Motor Dimensions may vary

Model	Footing	Flange	Centre Height A	Flange to Flange B	Base Length C	Base Width D
CNP CDLF 4-8	180 W X 100 L 4 x ϕ 13mm	ϕ 140 4 x ϕ 18 100 PCD	75mm	250mm	150mm	210mm
CNP CDLF 4-10						
CNP CDLF 4-12						
CNP CDLF 4-16						

CDLF4 50Hz 2900rpm



CDLF4 50Hz 2900rpm



- 1 Coupling guard
- 1a Coupling guard (with cutout)
- 2 Screw M4 x 8mm
- 3 Pump head
- 3a Lining
- 4 Diffuser
- 4a Support diffuser
- 4b Neck ring cover
- 4c Neck ring
- 5 Coupling
- 5a Inducer
- 6 Base plate
- 7 Shaft pin
- 8 Nut M16, Washer Φ 16
- 9 Hexagon socket head screw
- 10 Circlip cover
- 14 Strap
- 17 Impeller sleeve
- 20 Flange
- 21 Circlip
- 22 First impeller cover
- 23 Nut M12, Washer Φ 12
- 25 Stay bolt
- 26g Flange type Inlet & outlet chamber
- 28 Drainage screw M10
- 29 Drainage nut
- 30 O ring 169mm x Φ 3.3
- 31 O ring 8mm x Φ 2.65
- 33 Impeller sleeve (S)
- 33a Impeller sleeve (L)
- 34 Mechanical seal
- 36 Air vent nut
- 37 O ring 16 x 2.65
- 38 Air vent screw
- 39 Bolt, washer (to suit motor)
- 40 Motor
- 46 Adjusting rubber
- 47a Bearing
- 49 Impeller
- 50a Top diffuser
- 51 Shaft
- 55 Cylinder
- 63 O ring retainer
- 65 Screw M8 x 20, Washer Φ 8